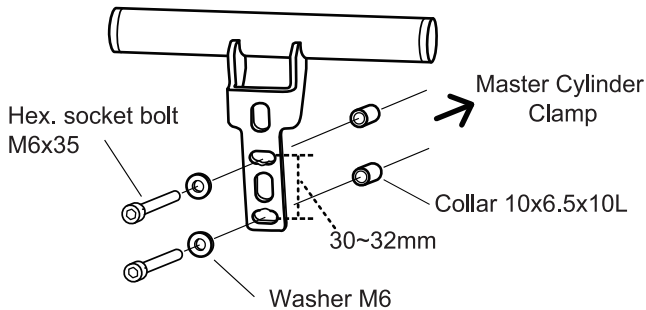


## Mount Bar Series

#77434	#77436	#78030	#92745	#92747
#77435	#77437	#78031	#92746	#92748

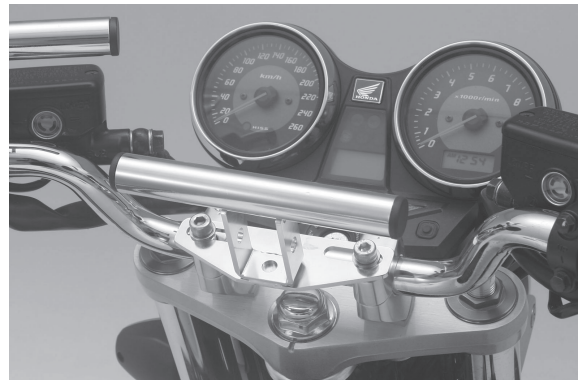
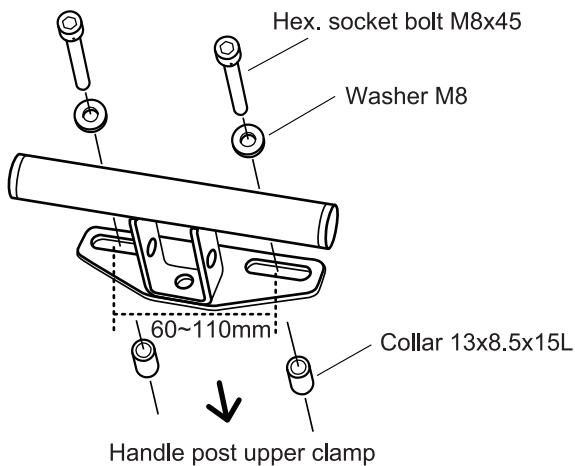
Useful for attaching navigation system, smartphones, USB, etc.  
Made of steel. Pipe diameter 22.2mm. Made in Japan.

### Master Cylinder Clamp Type (clamp pitch 30-32mm)



- ※ Keep the original bolts that hold the master cylinder in place.
- ※ If the supplied bolts or collars don't fit, prepare bolts, washers and collars to suit your vehicle.
- ※ After installation, check that there is no contact with other objects.

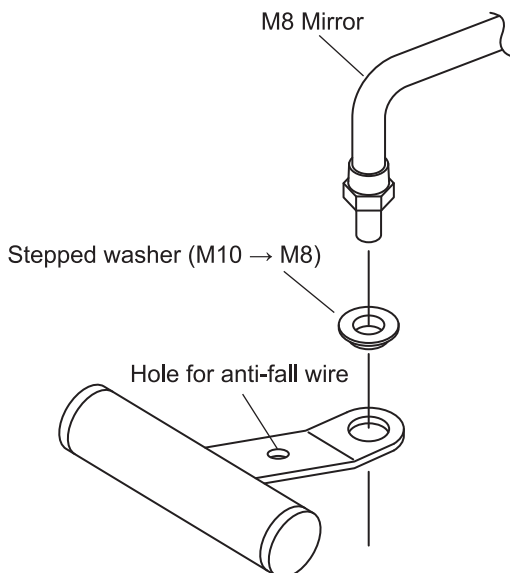
### Handle Post Clamp Type (post pitch 60-110mm)



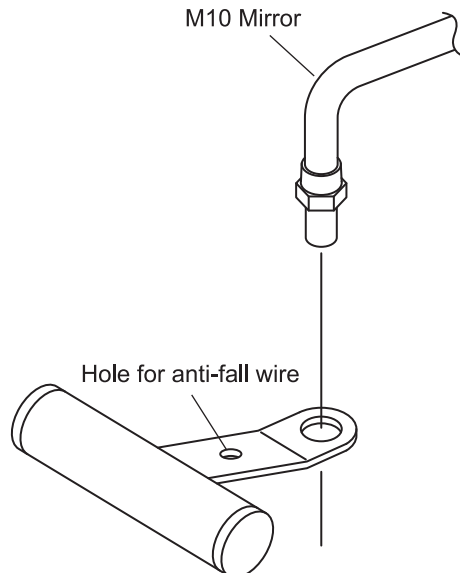
- ※ If the supplied bolts or collars don't fit, prepare bolts, washers and collars to suit your vehicle.
- ※ After installation, check that there is no contact with other objects.

### Mirror Clamp Type (M8 / M10)

#### <M8 Mirror>



#### <M10 Mirror>



- ※ After installation, check that there is no contact with other objects.